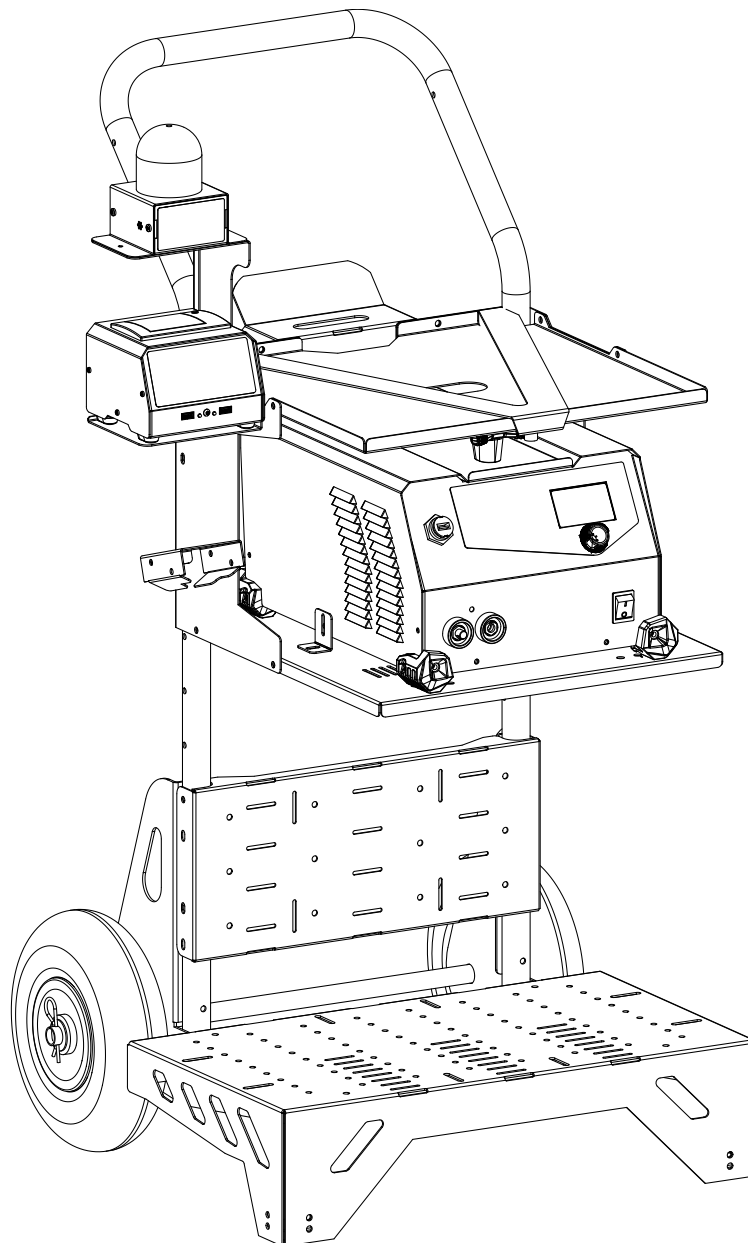
















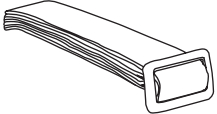

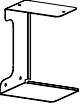
Notice de montage Assembly manual Montageanleitungen Manuale di assemblaggio

**CHARIOT / TROLLEY / FAHRWAGEN / CARRELLO
STARTFLASH**



**CHARIOT / TROLLEY / FAHRWAGEN / CARRELLO
STARTFLASH**

**Tableau récapitulatif / Summary table / Zusammenfassende Tabelle
/ Tabella ricapitolativa**

	Dimensions	Quantity	Reference
	M6 x 12	x 30	41276
	M6 x 40	x 18	41004
	M4 x 8	x 1	42009
	M8 x 20	x 2	41244
	M6	x 50	41151
	M8	x 2	41157
	-	x 1	M0446ST
	20 x 35 x 1,5 mm	x 2	41214
	20,2 x 29 x 1,5 mm	x 6	43170
	M6	x 2	41204
	-	x 2	71140
	4 x 40 mm	x 2	42032
	1,5 m	x 2	72091
OPTION 	-	x 1	025745
OPTION 	-	x 1	028906

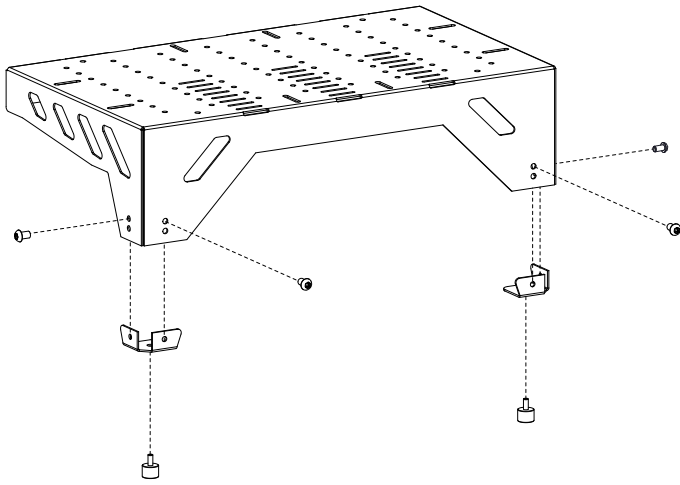
Outils / Tools / Werkzeug / Utensili





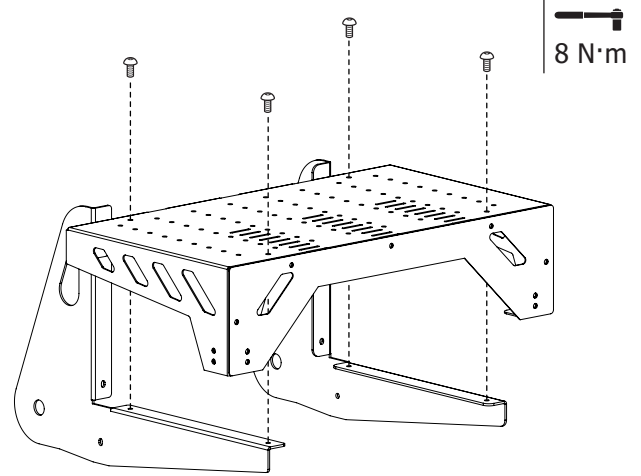
CHARIOT / TROLLEY / FAHRWAGEN / CARRELLO STARTFLASH


MONTAGE CHARIOT / TROLLEY MOUNTING / MONTAGE WAGEN / MONTAGGIO DEL CARRELLO

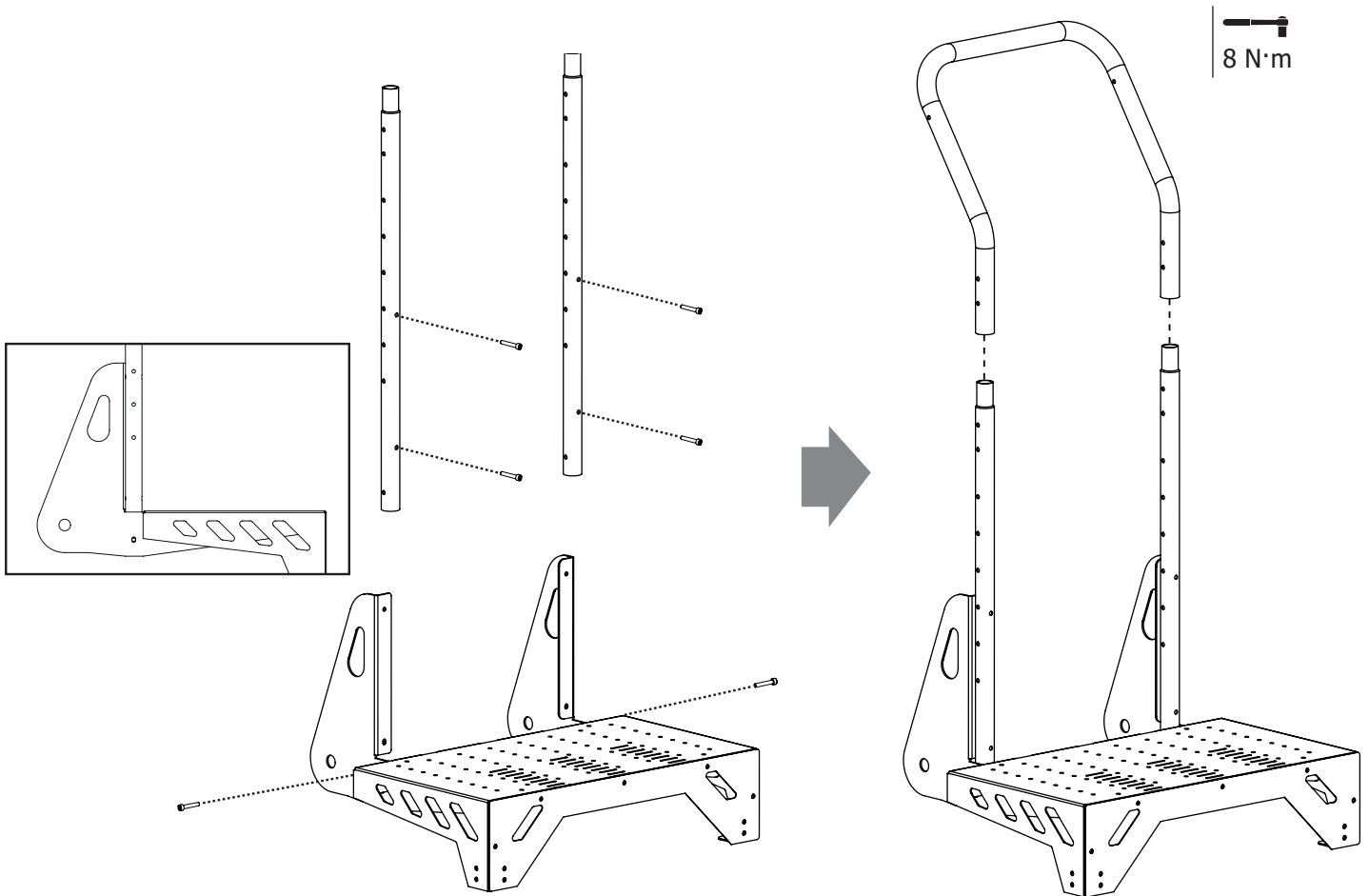
1 |  x4: M6 x 12  x6: M6  x2





2 |  x4: M6 x 12  x4: M6

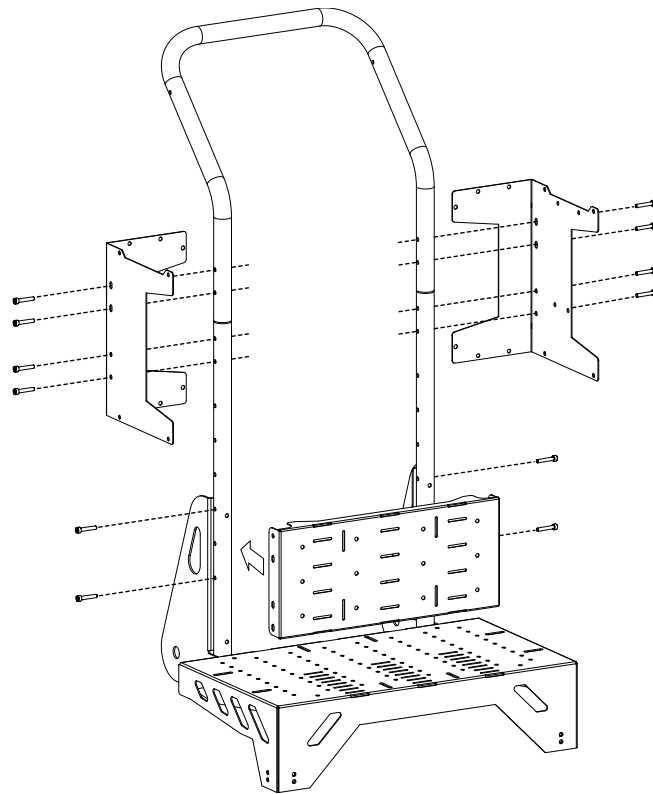



3 |  x6: M6 x 40  x6: M6



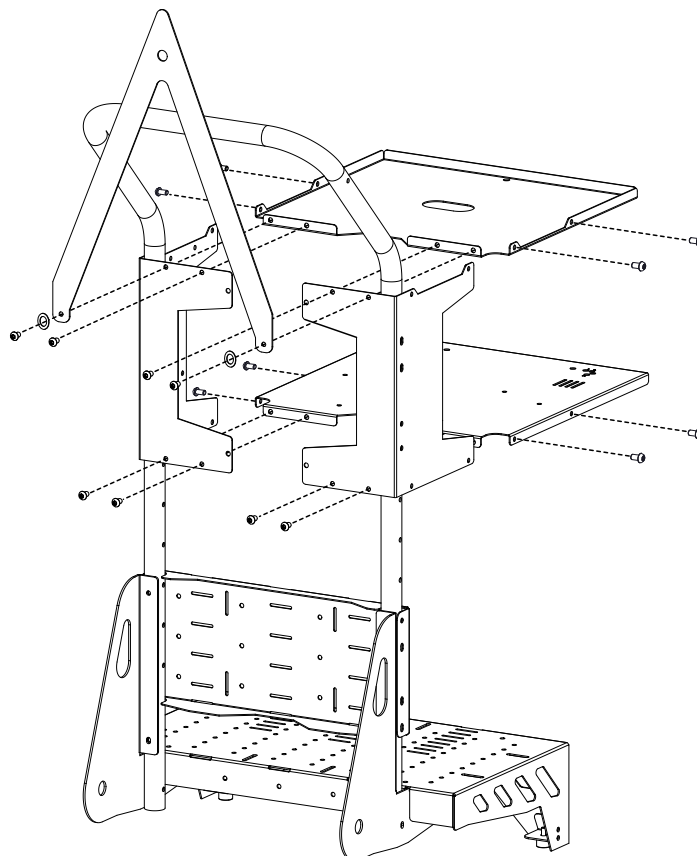
CHARIOT / TROLLEY / FAHRWAGEN / CARRELLO
STARTFLASH


4 |  x12 : M6 x 40  x12 : M6






8 N·m

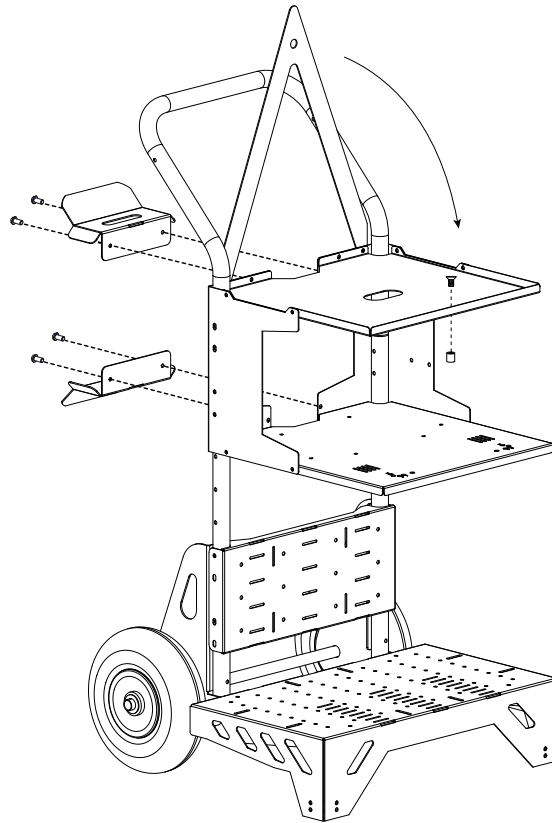
5 |  x16 : M6 x 12  x16 : M6  x2 : M6



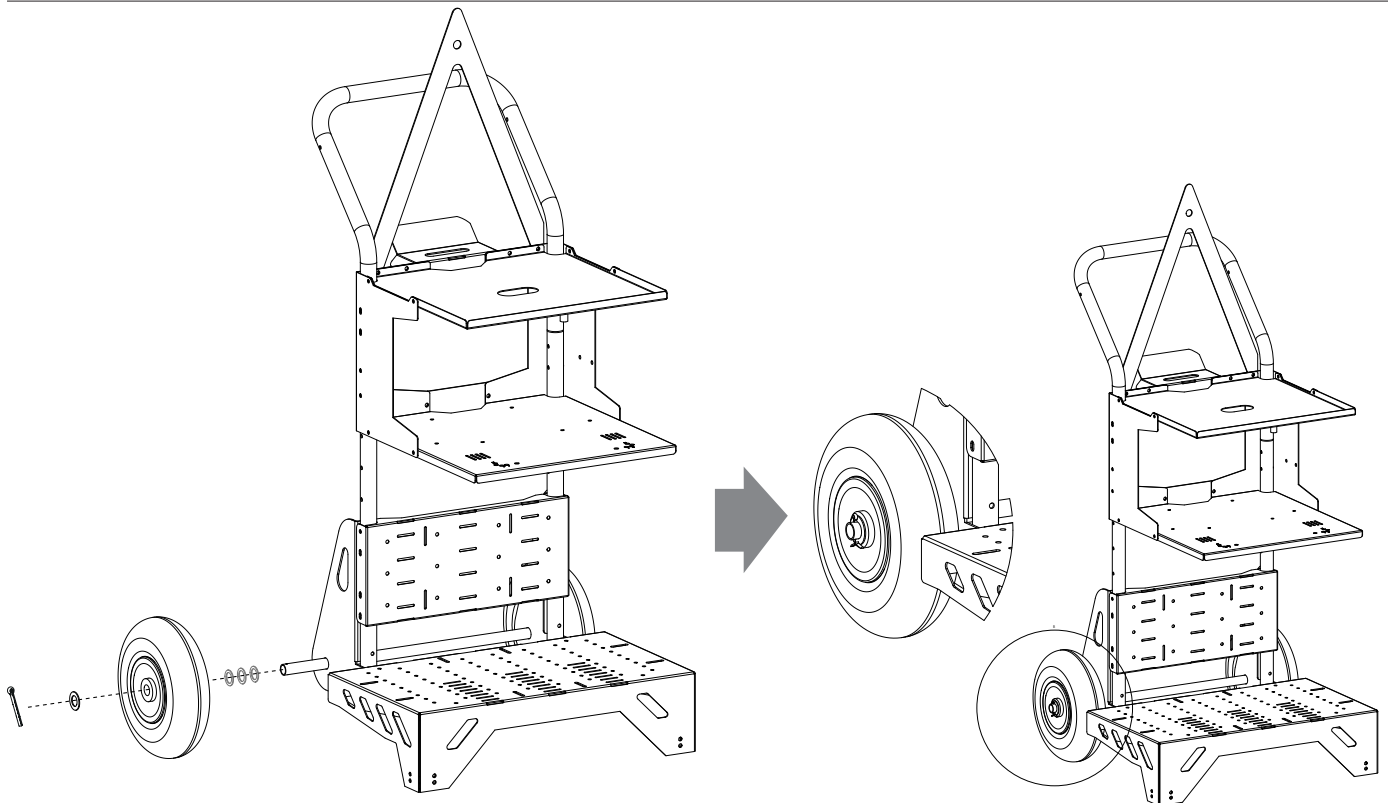

8 N·m

CHARIOT / TROLLEY / FAHRWAGEN / CARRELLO
STARTFLASH



6 |  x4: M6 x 12  x4: M6  x1: M4 x 8  x1: M4 x 8

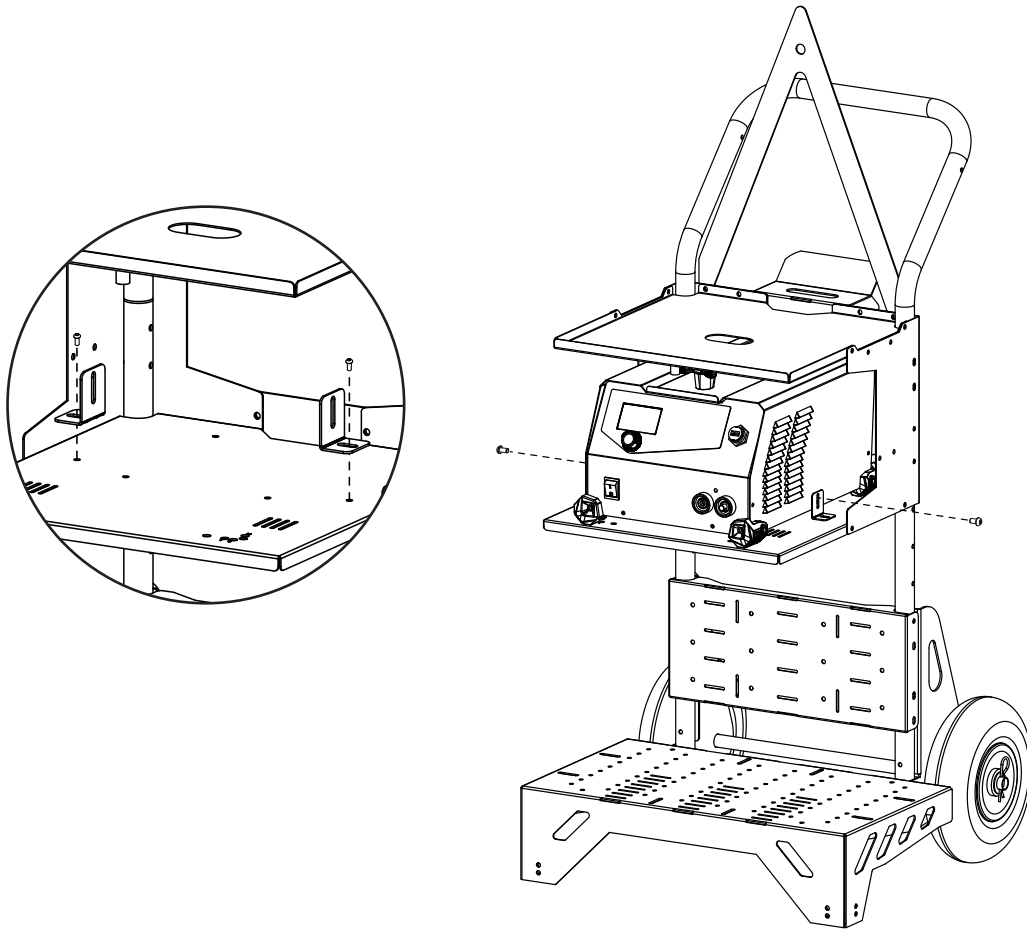


7 |  x2  x6  x2



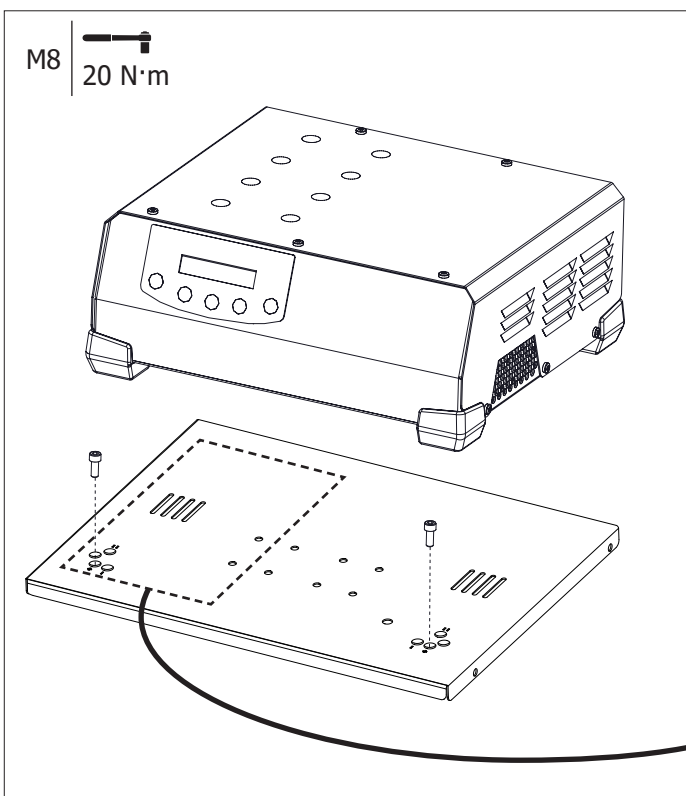
**CHARIOT / TROLLEY / FAHRWAGEN / CARRELLO
STARTFLASH**

8 |  x2: M6 x 12  x2 : M6



**COMPATIBILITÉ GYSFLASH / GYSFLASH COMPATIBILITY / GYSFLASH-KOMPATIBILITÄT /
COMPATIBILITÀ CON GYSFLASH**


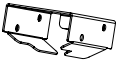
 x2 : M8 x 20  x2 : M8

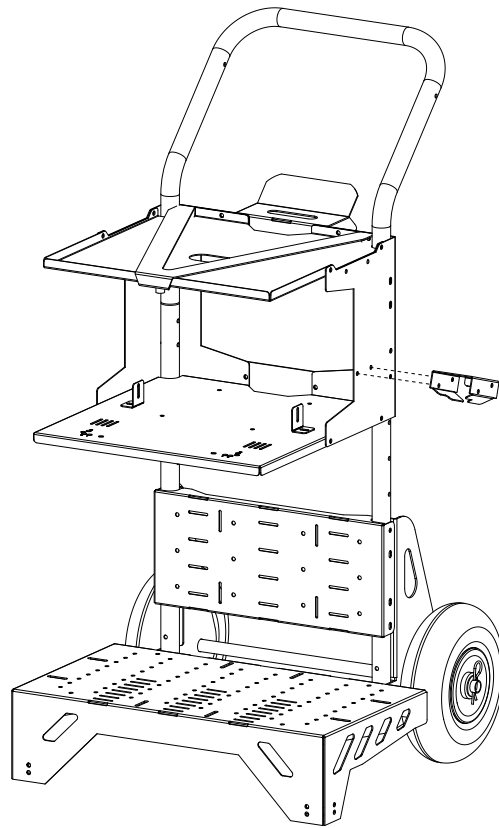



Gysflash	
-	50.12 / 51.12 CNT / 50.24
+	100.12 / 101.12 CNT
=	121.12 CNT / 101.24 CNT / 51.48 CNT
●	125.12 CNT
●	30.12 / 30.24



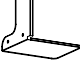
CHARIOT / TROLLEY / FAHRWAGEN / CARRELLO
STARTFLASH

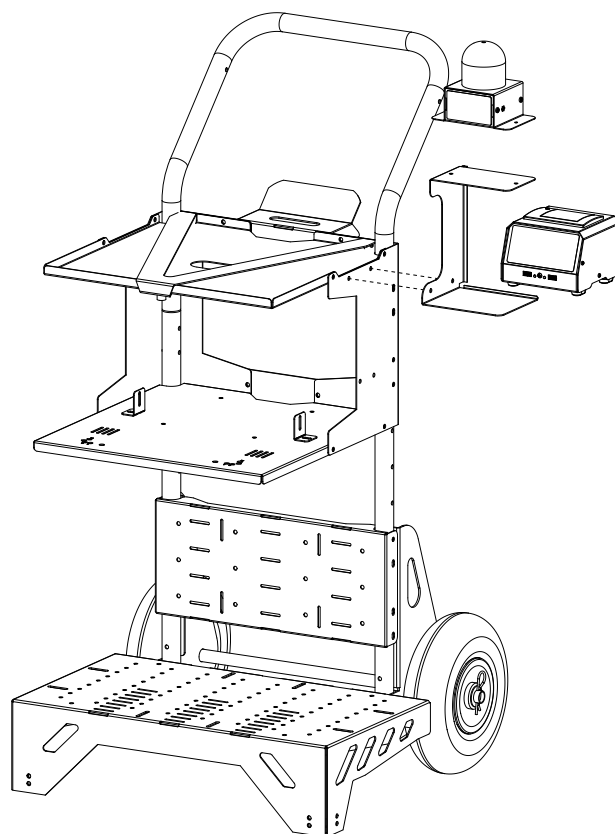
OPTION / OPTION / OPTION / OPZIONE


1 | **025745** |  x2 : M6 x 20  x2 : M6  x1




8 N·m

2 | **028906** |  x2 : M6 x 20  x2 : M6  x1

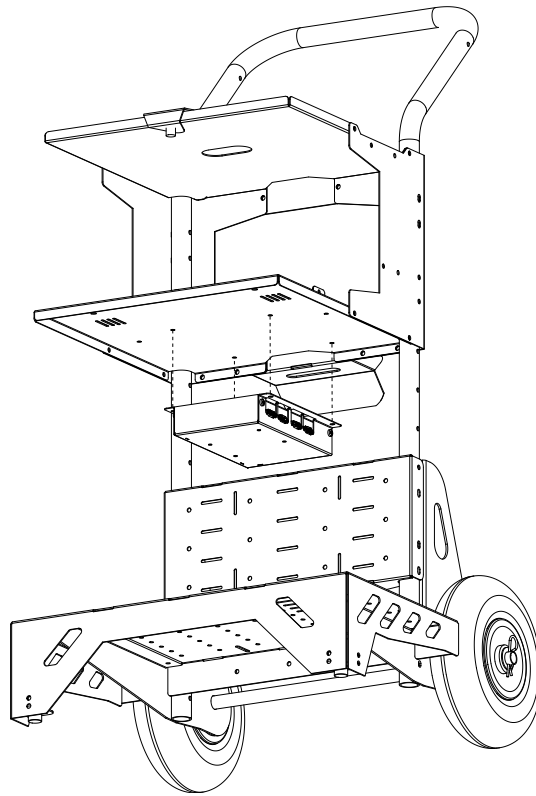



8 N·m

CHARIOT / TROLLEY / FAHRWAGEN / CARRELLO STARTFLASH

FIXATION SHM / SHM FASTENING / SHM-MONTAGE / MONTAGGIO SHM

 x4 : M5 x 10  x4 : M5  SHM (réf. 025881)



DIMENSIONS / DIMENSIONS / ABMESSUNGEN / DIMENSIONI

