

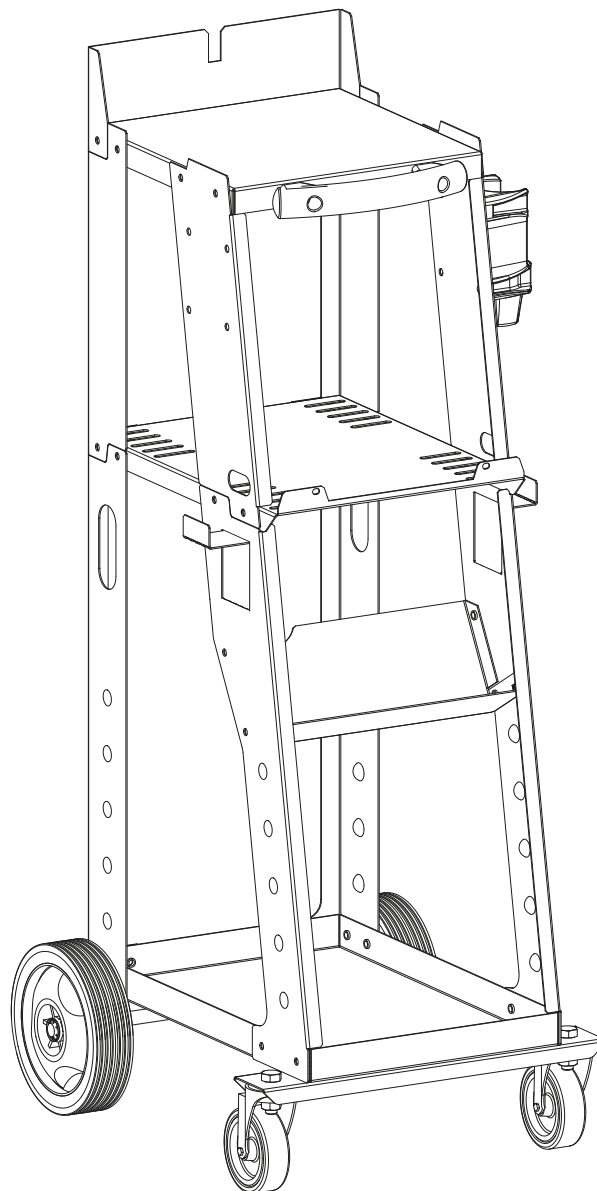


Notice de montage

Assembly manual


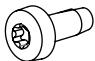

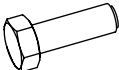
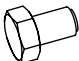





Montageanleitungen

CHARIOT / TROLLEY / WAGEN
DENT 1000




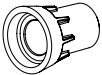


DENT 1000

Tableau récapitulatif / Summary table / Zusammenfassende Tabelle

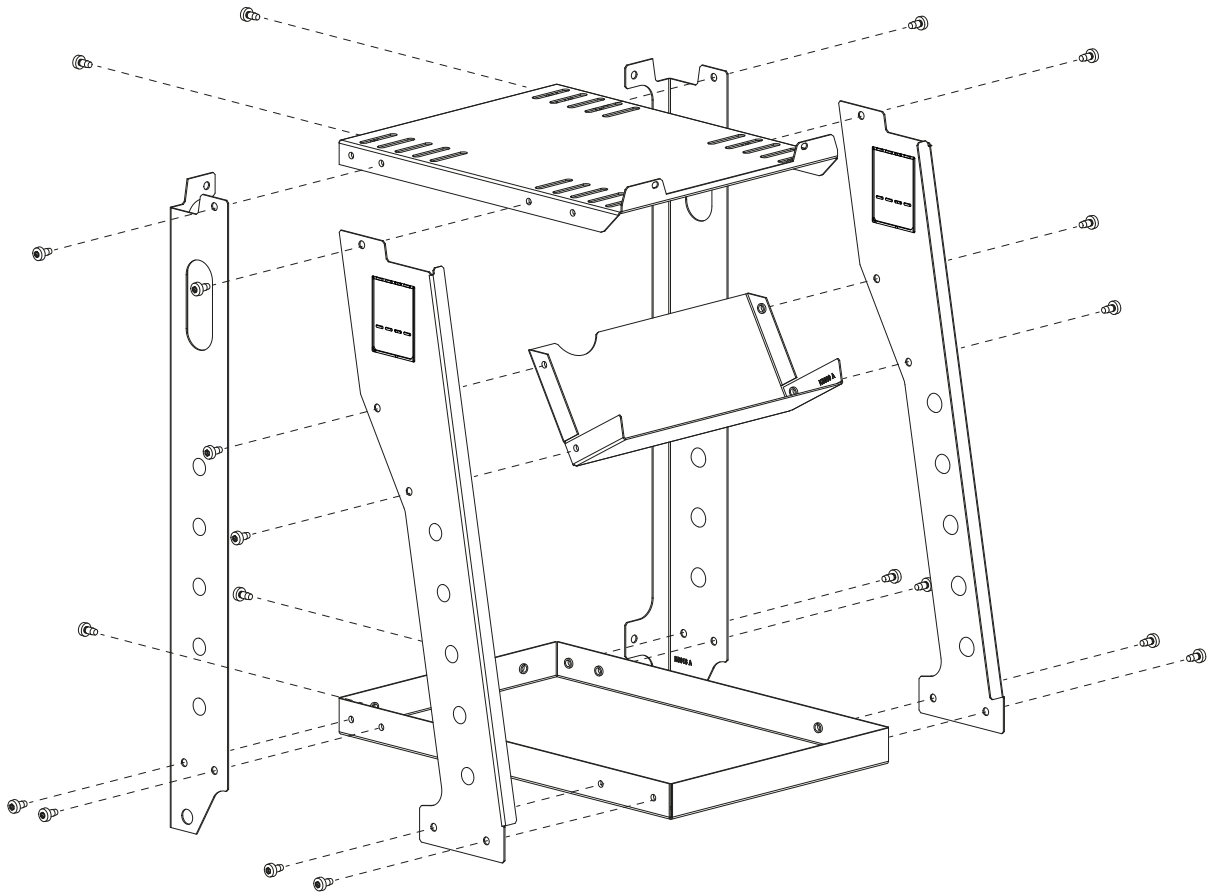
	Dimensions	Name	Quantity	Reference
	M6 x 12	A	x 37	43356
	M6 x 20	B	x 4	41026
	M6 x 30	C	x 2	41028
	M10 x 30	D	x 2	42140
	M10 x 16	E	x 2	41099
	M6	F	x 6	41151
	M10	G	x 4	41160
	M10 x 40 x 4	H	x 2	43253
	Ø 12	I	x 2	71380
	12.5 x 27 x 2.5	J	x 2	41209

Outils / Tools / Werkzeug

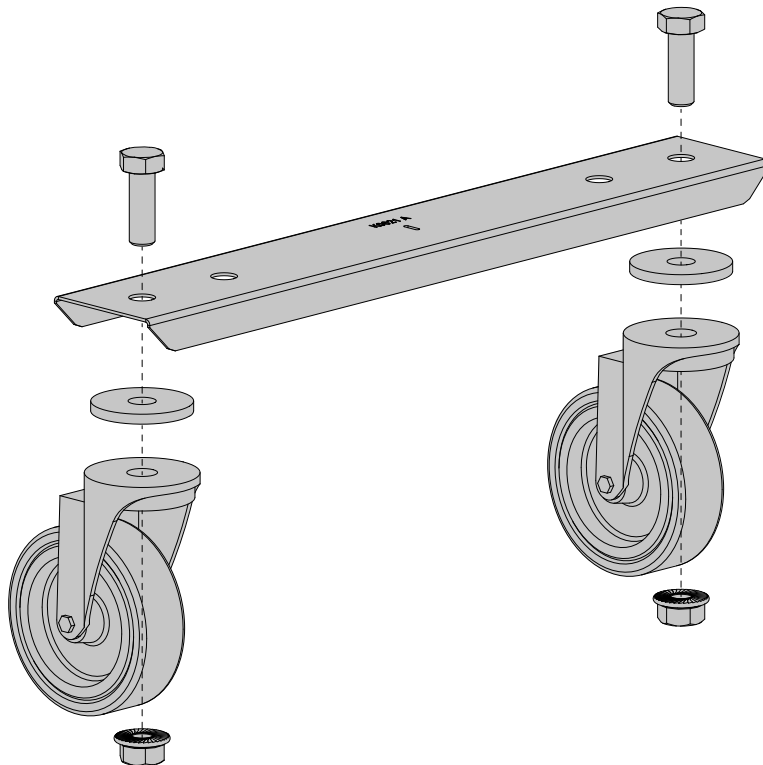
			
M6 (6 Nm max) TORX 30	M10 (30 Nm max)	-	M13

DENT 1000

1 | 20 A

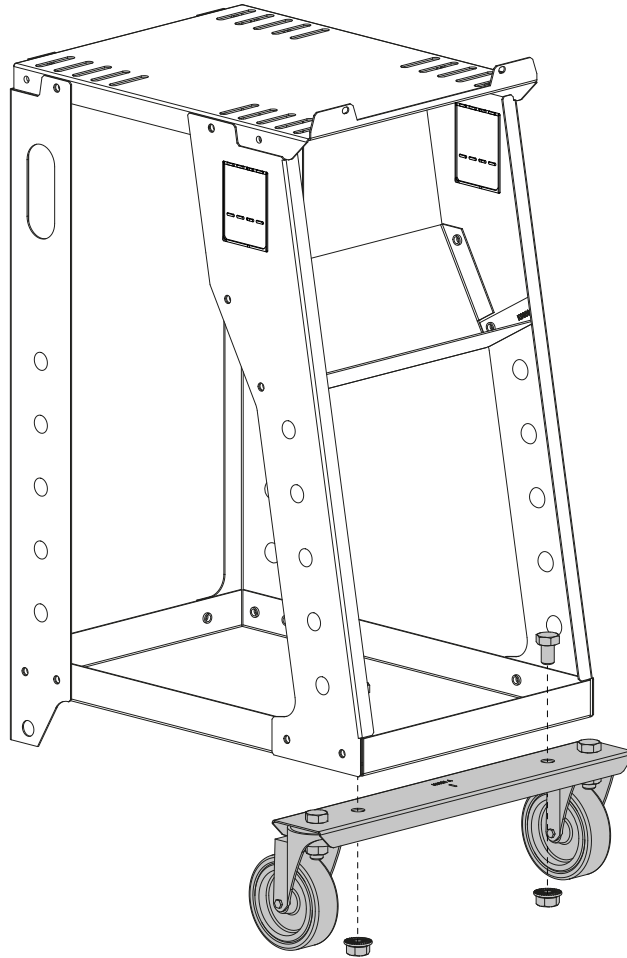


2 | 2D + 2H + 2G

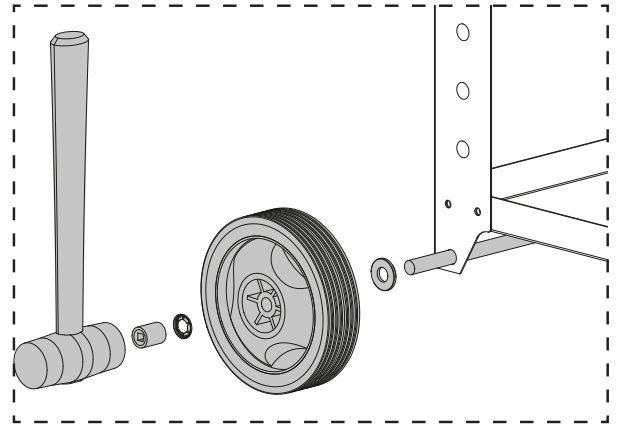
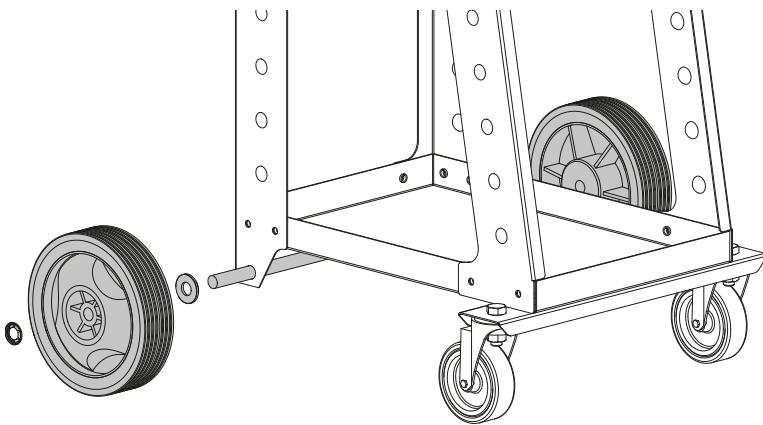


DENT 1000

3 | 2 E + 2 G

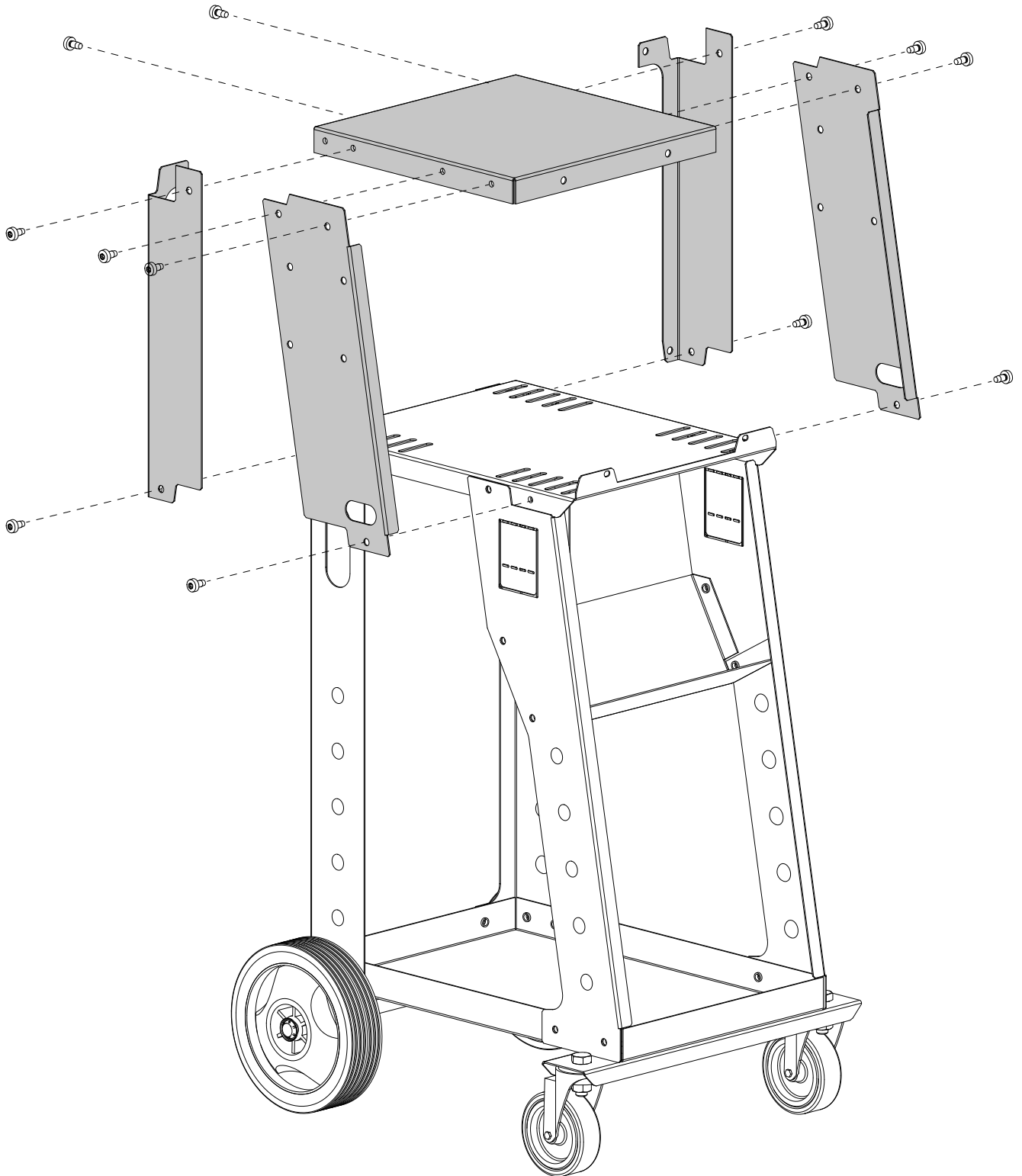


4 | 2 I + 2 J



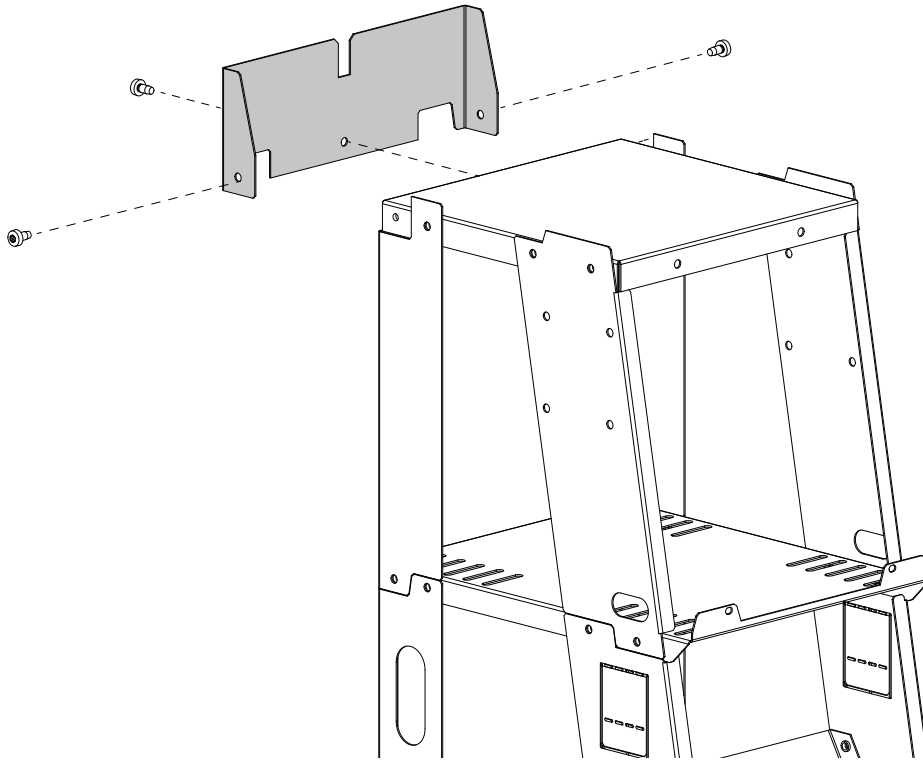
DENT 1000

5 | 12 A



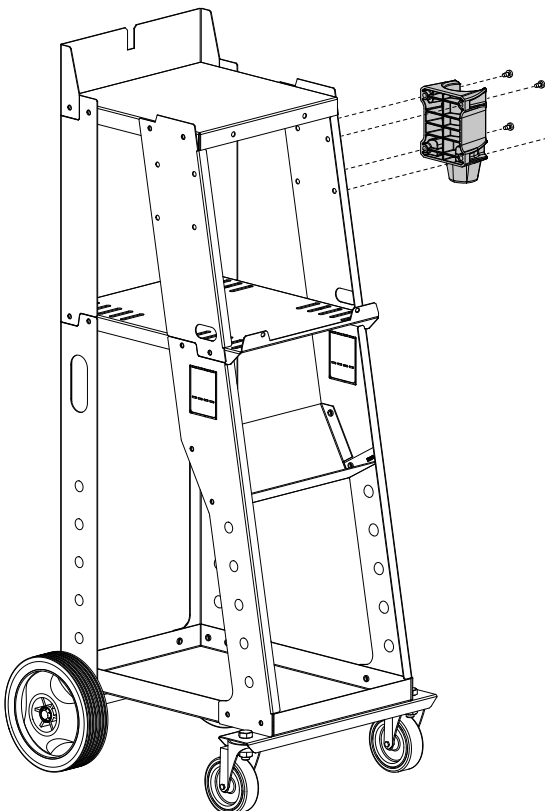
DENT 1000

6 | 3 A

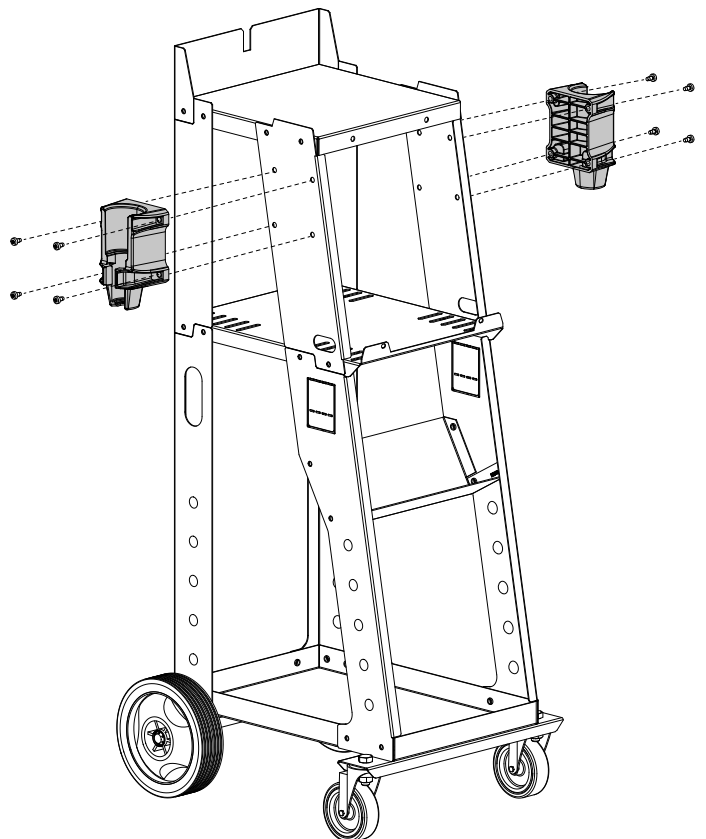


7 | B + F

**DENT 1000 (072848)
EASYLINER 39.02 (053618 & 058521)**

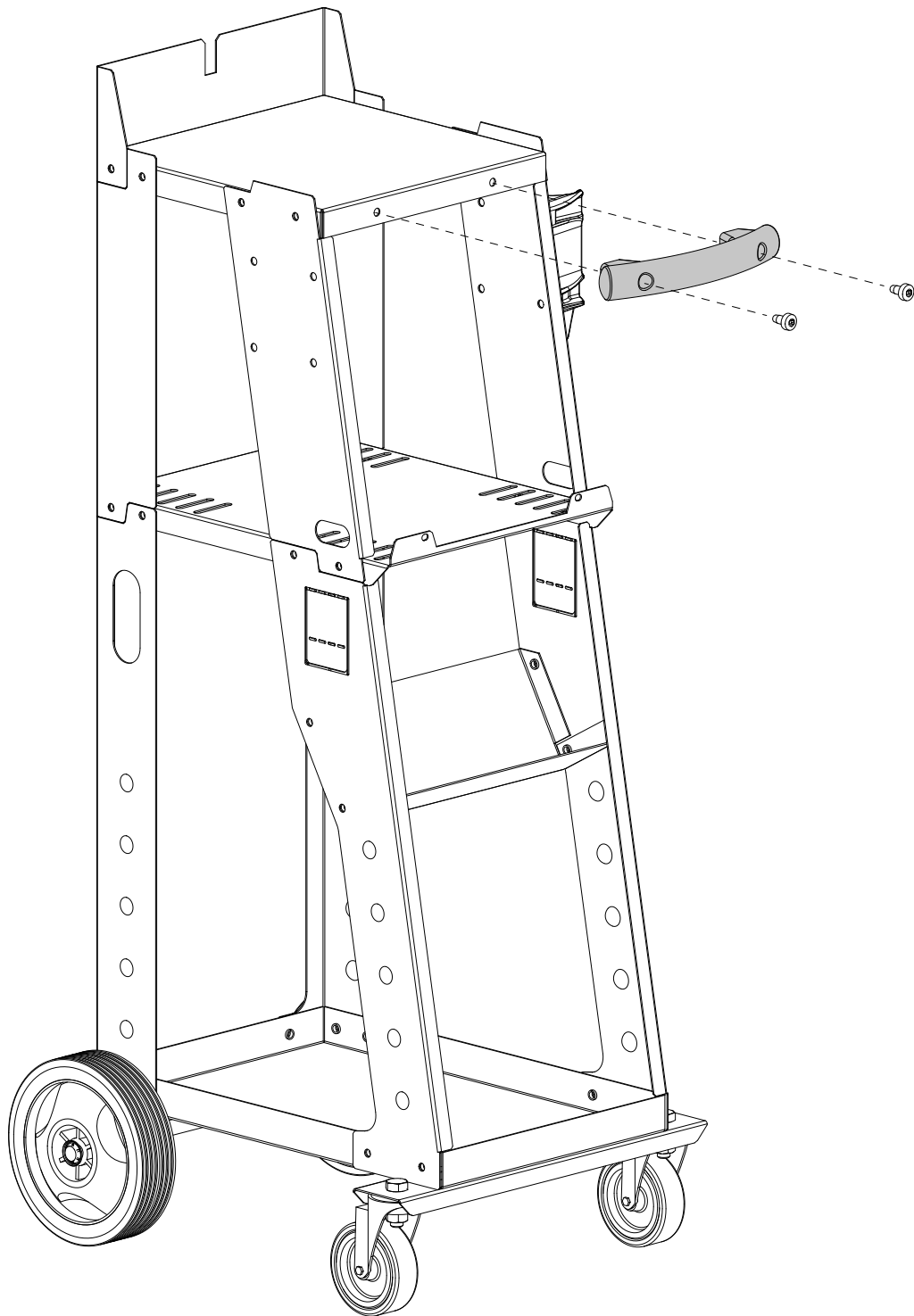


EASYLINER PRO 230 (072398)



DENT 1000

8 | 2 C + 2 F



DENT 1000

9 | 2 A

