



Model:
096000

Product Type:
PANEL STAND

WARNING

Study, understand and follow all instructions provided with this product. Read these instructions carefully before installing, operating, servicing or repairing this tool. Keep these instructions in a safe accessible place.

INTENDED USE OF THE TOOL

This stand is designed to be used for repairs on automobile panels/parts. Stand has a capacity of 600lbs. Never exceed weight capacity. Do not use this tool outside of the designed intent. Never modify the tool for any other purpose or use.

WARNING

Caution: To help prevent personal injury

- Normal use of this product is likely to expose the user to dust and/or microscopic particles containing chemicals known to the State of California to cause cancer, birth defects or other reproductive harm. Always wear appropriate safety equipment and clothing when using this product. Study, understand and follow all instructions provided with this product. Failure to read and follow all warnings and operating instructions may result in damages and serious injury or death.
- Always wear ANSI approved goggles when using this product. (Users and Bystanders).
- Never use this tool for any application other than for which it was designed.
- Only use accessories designed for this tool.
- Never alter or modify this tool in any way.
- Improper operation and/or maintenance of the tool, modification of the tool, or use of the tool with accessories not designed for it could result in serious injury or death.
- Always select the correct accessories of the correct size and design for the job that you are attempting to perform.
- Always work in a clean, safe, well-lit, organized and adequately equipped area.
- Do not begin repairs without assurance that vehicle is in secure position, and will not move during repair.

1 YEAR LIMITED WARRANTY

• This warranty is in lieu of all other warranties, expressed or implied, including warranties of merchantability and fitness for a particular purpose. Some states do not allow the exclusion of limitations of incidental or consequential damages so the above limitations may not apply to you.

PANEL STAND



MADE IN CHINA

Unpacking

When unpacking, check the parts diagram and part number listing on page 2 to make sure all parts are included. If any parts are missing or damaged, please call your distributor.

PRODUCT INFORMATION:

- Lightweight panel stand with 600lbs. capacity
- Bumper extension bar can easily be adjusted for any position
- Great for working on bumpers and other automotive parts

SPECIFICATIONS:

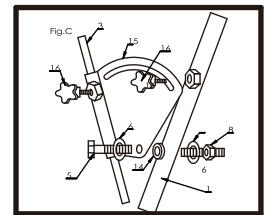
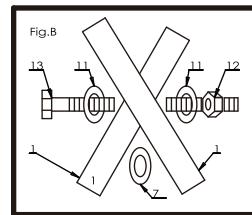
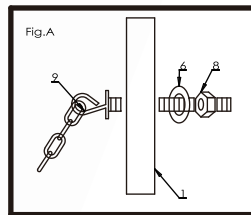
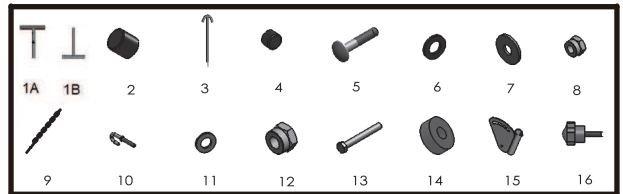
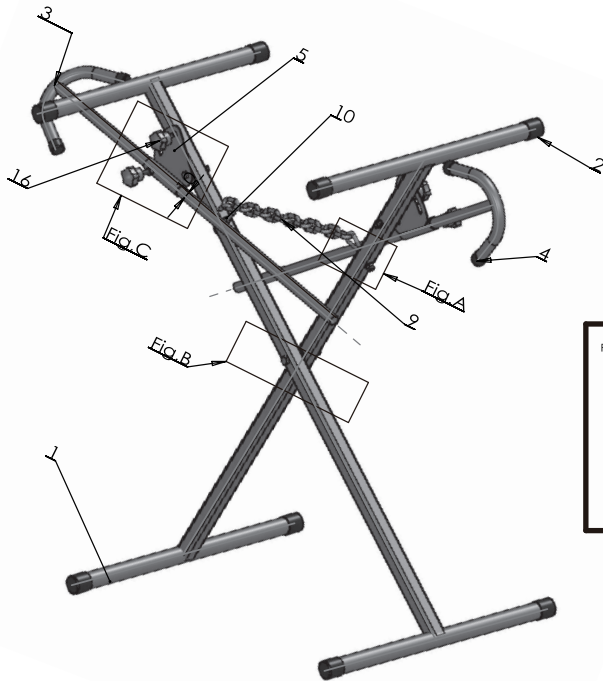
- Capacity: 600lbs
- Adjustable height of 34.5" to 47" tall
- Stand Dimensions in Completely Folded Position:
14.0" wide x 49.6" high
- Stand Dimensions in Adjustable Operating Position:
Maximum Height: 64.5" depth, 64.5" high x 32.5" wide
Minimum Height: 45.3" depth, 45.3" high x 65.3" wide
- Steel tubing construction with diameter of 1.25" (32mm) round tubing & 1.18" square tubing.
- Weight: 18.7lbs

DO NOT DISCARD – GIVE TO USER

Model:

Product Type:

PARTS BREAKDOWN



ASSEMBLY INSTRUCTIONS

Caution: Please Use Extreme Caution During Assembly To Prevent Personal Injury, As Metal Edges May Be Sharp.

1. Insert #1A Upper Frame Section into #1B Lower Frame Section while assuring that the upper and lower frame mounting holes are properly aligned. Repeat assembly with second #1A Upper and #1B Lower Frame Sections.
2. Lay both frame assemblies on floor side by side in an X position while assuring that the welded nuts on the #1A Upper Frame Sections are facing outward and opposite each other.
3. Align mounting holes in frame assemblies and assemble the frame with #13 Bolt, (2)#11 Washers, #7 Large Washer, and #12 Lock Nut as shown in Fig. B. Add #11 Washer onto #13 Bolt, slide #13 Bolt through first frame assembly, add #7 Large Washer onto #13 Bolt, slide #13 Bolt through second frame assembly, add #11 Washer and #12 Lock Nut and tighten securely.
4. Raise assembled frame to maximum height in upright position and secure in place to complete assembly.
5. Assemble #9 Eye Bolt with Chain to #1A Upper Frame Section with #6 Washer and #8 Lock Nut as shown in Fig. A and tighten securely. Assure that the #9 Eye Bolt with Chain is facing inward with eye bolt open end facing upward.
6. Assemble #10 Eye Hook to opposite #1A Upper Frame Section the same as #9 Eye Bolt with Chain. Attach chain to #10 Eye Hook to preferred stand height.
7. Assemble #15 Extension Bar Bracket to #1A Upper Frame Section with #5 Bolt, (2)#6 Washers, #14 Nylon Bushing, #16 Knob, and #8 Lock Nut as shown in Fig. C. Add #6 Washer onto #5 Bolt, slide #5 Bolt through hole on #15 Extension Bar Bracket, add #14 Nylon Bushing onto #5 Bolt, slide #5 Bolt through #1A Upper Frame Section, add #6 Washer and #8 Lock Nut and tighten securely. Slide #16 Knob through the slot on #15 Extension Bar Bracket and screw into the welded nut on the #1A Upper Frame Section. Repeat assembly with second #15 Extension Bar Bracket.
8. Slide #3 Extension Bars into tubes on #15 Extension Bar Brackets and screw #16 Knobs into the welded nuts on the #15 Extension Bar Brackets.

Index No.	Part No.	Description	Q'ty
1A, 1B	-1A -1B	Upper and Lower Frame Sections	4
2	-02	Ø32 Rubber Cover	8
3	-03	Extension Bar	2
4	-04	Ø22 Rubber Cover	4
5	-05	Bolt M8 x 55	2
6	-06	Washer Ø8	6
7	-07	Large Washer Ø8 x 29 x 3	1
8	-08	Lock Nut M8	4

Index No.	Part No.	Description	Q'ty
9	-09	Eye Bolt with Chain	1
10	-10	Eye Hook	1
11	-11	Washer Ø8	2
12	-12	M8 Lock Nut	1
13	-13	Bolt M8 x 80	1
14	-14	Nylon Bushing	2
15	-15	Extension Bar Bracket	2
16	-16	Knob	4