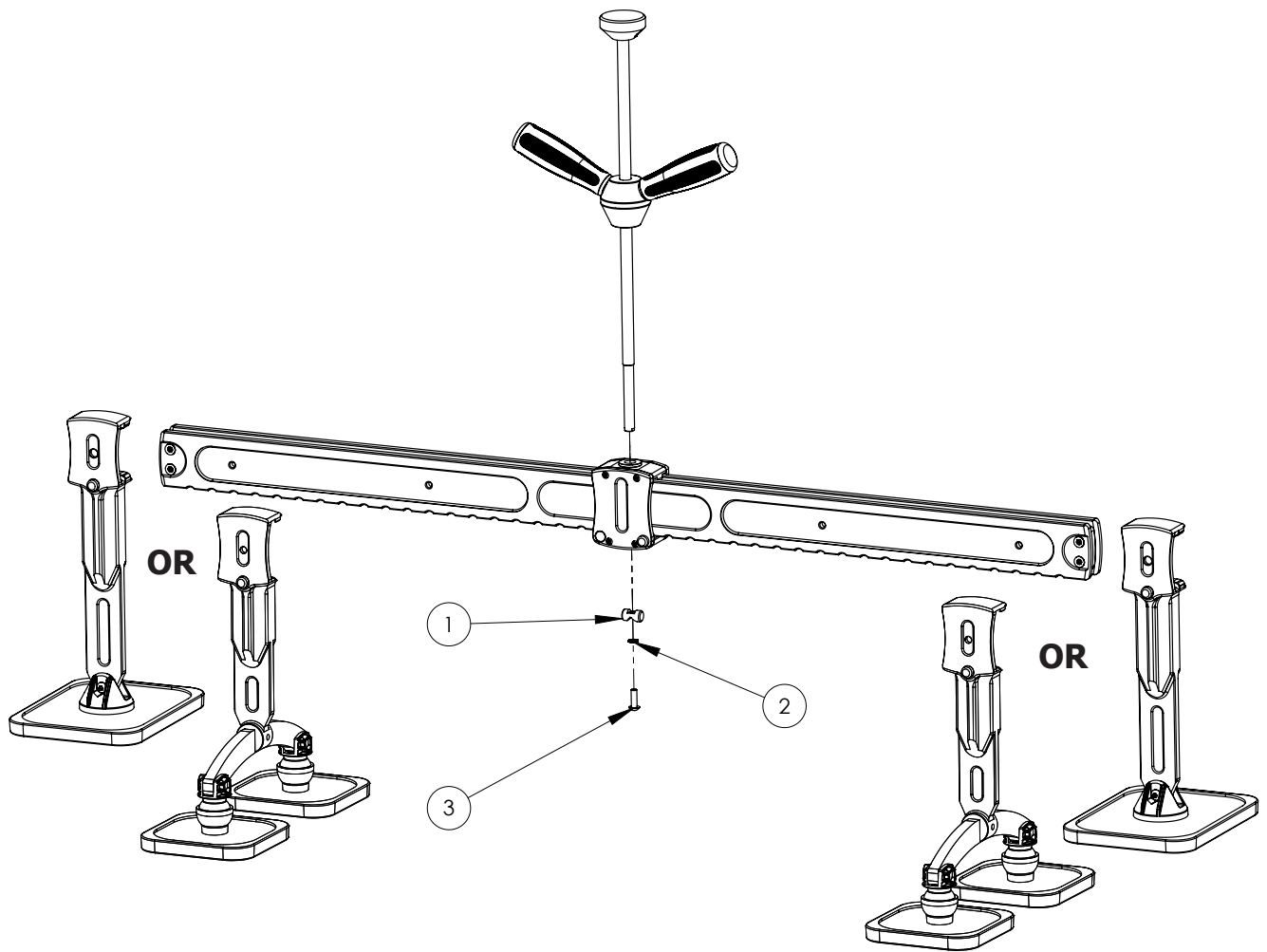


**BARRES DE DÉBOSELAGE PREMIUM PRO**  
**PREMIUM PRO DUAL-FOOT LEVELLING BAR**

# BARRES DE DÉBOSELAGE PREMIUM PRO PREMIUM PRO DUAL-FOOT LEVELLING BAR

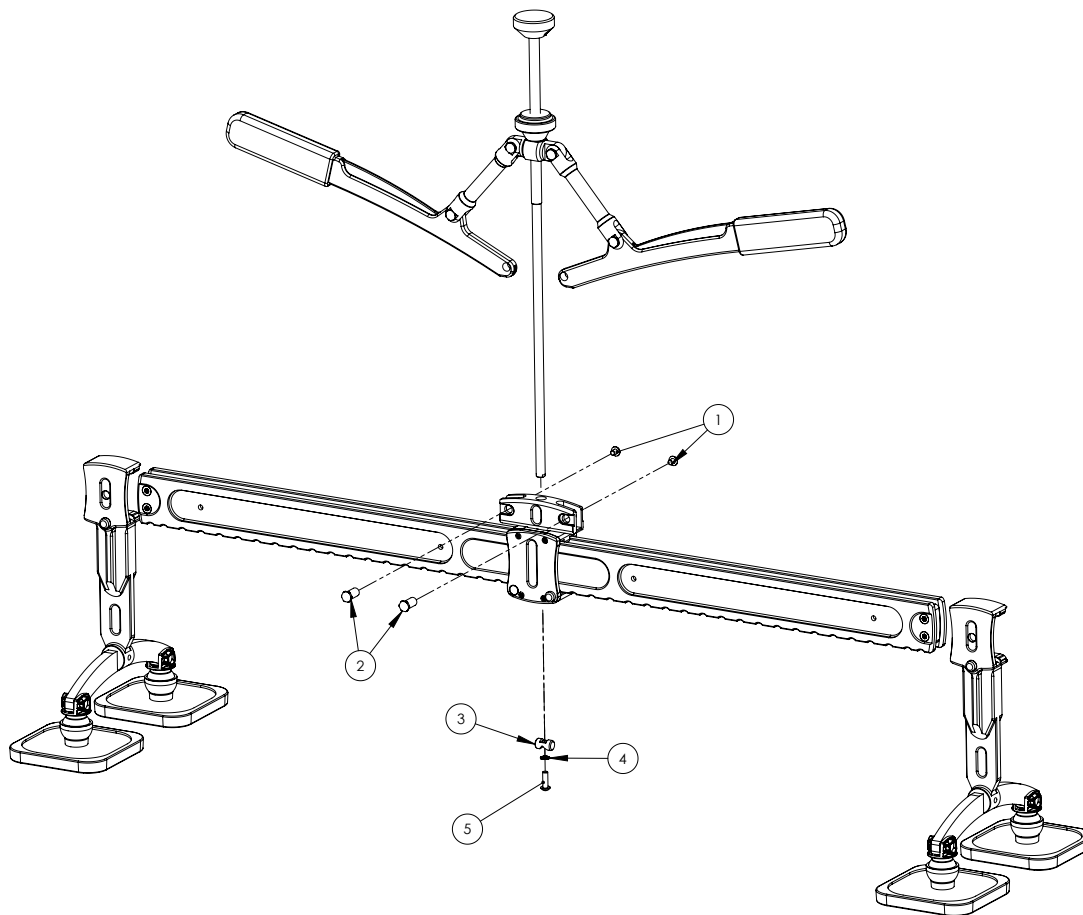
## MONTAGE BARRE DE DÉBOSELAGE 900 MM PREMIUM PRO / ASSEMBLING PREMIUM PRO LEVELLING BAR 900 MM



①	M0469ST	x1	Support anti-rotation - Anti-rotation support
②	42162	x1	Rondelle Schnorr M5 - Schnorr washer M5
③	42169	x1	Vis M5x16 Torx 25 - Screw M5x16 Torx 25

## BARRES DE DÉBOSELAGE PREMIUM PRO PREMIUM PRO DUAL-FOOT LEVELLING BAR

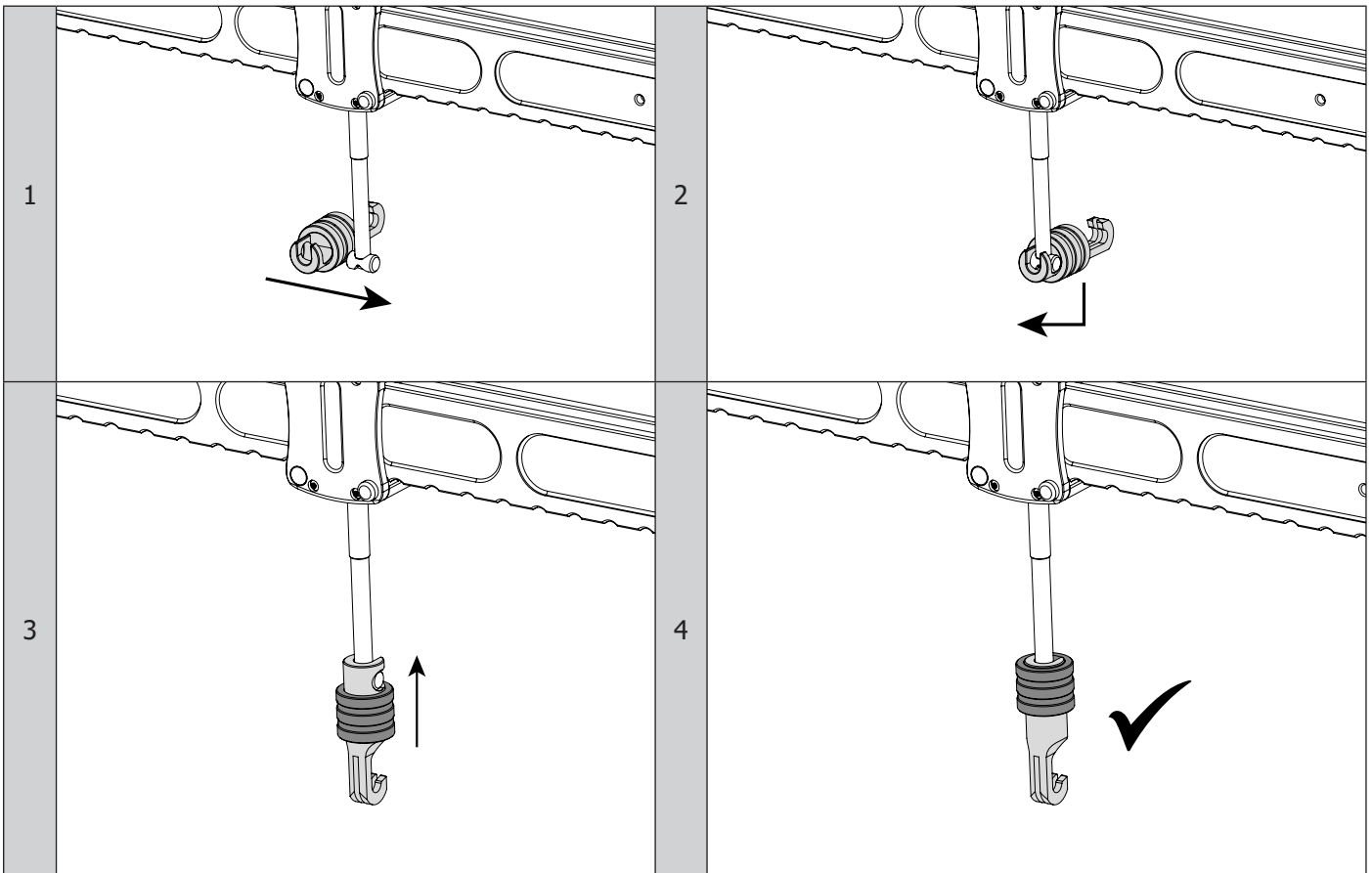
**MONTAGE BARRE DE TIRAGE 900 MM PREMIUM PRO / ASSEMBLING PREMIUM PRO SCISSORING BAR  
900 MM**



①	42116	x2	Vis M5x6 Torx 25 - Screw M5x6 Torx 25
②	51586	x2	Axe - Axis
③	M0469ST	x1	Support anti-rotation - Anti-rotation support
④	42162	x1	Rondelle Schnorr M5 - Schnorr washer M5
⑤	42169	x1	Vis M5x16 Torx 25 - Screw M5x16 Torx 25

# BARRES DE DÉBOSELAGE PREMIUM PRO PREMIUM PRO DUAL-FOOT LEVELLING BAR

## MISE EN PLACE SUPPORT ANTI-ROTATION / INSTALLATION OF THE ANTI-ROTATION SUPPORT



## ICÔNES / SYMBOLS



- Produit recyclable qui relève d'une consigne de tri.
- A recyclable product that is subject to a sorting requirement.

### SAS GYS

1, rue de la Croix des Landes  
CS 54159  
53941 SAINT-BERTHEVIN Cedex  
France