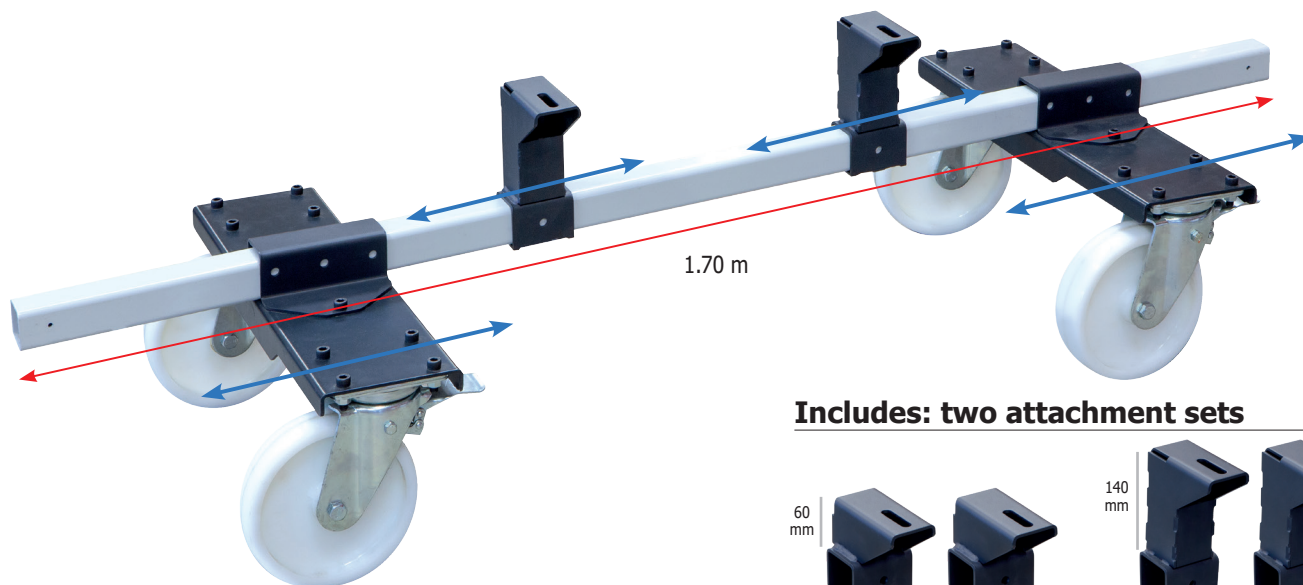
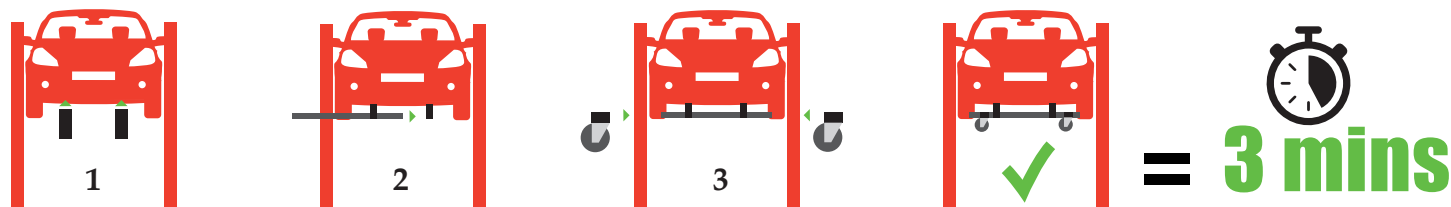


The AFTER LIFT AUTO ROLL is an essential handling trolley for all bodywork and mechanical work and is indispensable for moving vehicles without wheels.

After setting up this trolley in an upright position, the vehicle can be easily moved along the ground. Its adjustable attachments allow vehicles of different sizes to be easily accommodated.



Includes: two attachment sets



Mobile and secure





- User friendly two-wheel stand: 13 kg
- Quick and easy to set up
- Four large wheels to move parts around a car bodywork repair workshop
- Each wheel has a brake to secure the vehicle

Adjustable and customisable

- Vehicle can be rotated 360°
- Adjustable wheel supports for all vehicle types > max. 1.7 m
- Two (x2) fixing attachments of different heights > 60 mm or 140 mm
- Can be attached to a vehicle's front or rear

Robust structure

- Reinforced mechanics
- Max. weight: 1,200 kg
- Enhanced durability
- Made of steel

			
1710 x 245 x 160 mm	45 kg	1 200 kg max.	360 °