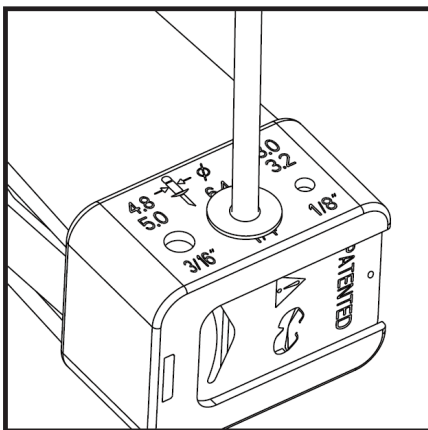


The manual riveting machine allows the setting of blind rivets in steel, stainless steel and aluminium with diameters of 3.2, 4.0, 4.8, 6.0 and 6.4 mm. It is specially designed and adapted for use in the workshop.

ADVANTAGES

- For the installation of blind rivets in steel, aluminium and stainless steel with diameters of 3.2, 4.0, 4.8, 6.0, 6.4mm
- 5 end pieces delivered with the riveter and stored in a dedicated compartment
- Rod collector included.
- Arm dimensioned to limit the user's effort.
- Rivet diameter test template included on the riveting machine
- Maintenance-free.

DIMENSIONS / WEIGHT



Rivet diameter test gauge



RIVETS

Riveting capacity

| Diameter \ Material | Material | | |
|---------------------|-----------|-------|-----------------|
| | Aluminium | Steel | Stainless steel |
| Ø 3.0 / 3.2 mm | ● | ● | ● |
| Ø 4 mm | ● | ● | ● |
| Ø 4.8 / 5.0 mm | ● | ● | ● |
| Ø 6.0 mm | ● | ● | ● |
| Ø 6.4 mm | ● | ● | ● |
| Ø 4.8 / 5.0 mm | ● | ● | ● |
| Ø 6.4 mm | ● | ● | ● |

Included in the package

Rivet tips for rivets
Ø 3.2, 4.0, 4.8, 6.0, 6.4 mm



Compartment of storage of tips