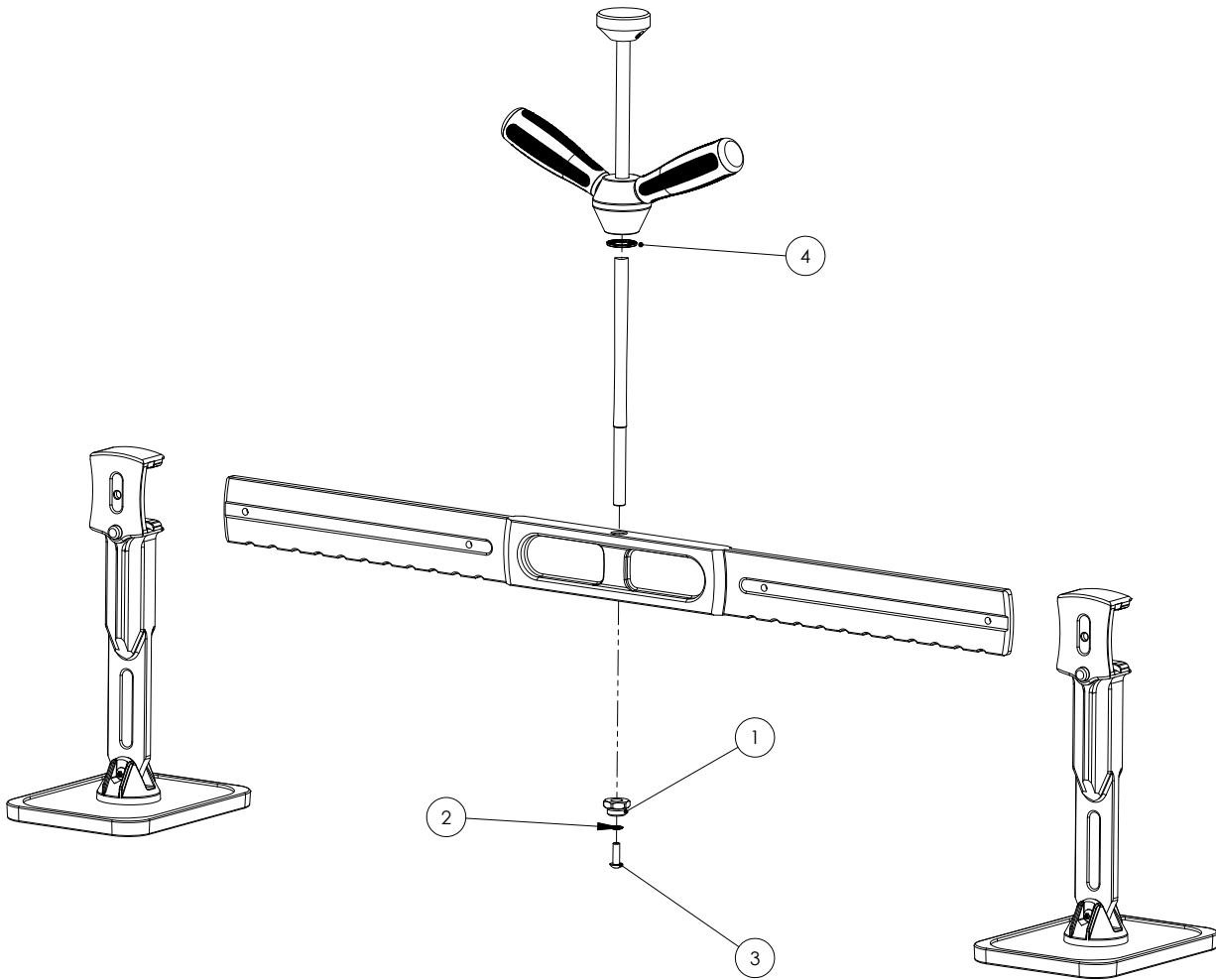


**BARRES DE DÉBOSELAGE PREMIUM
PREMIUM DUAL-FOOT LEVELLING BAR**

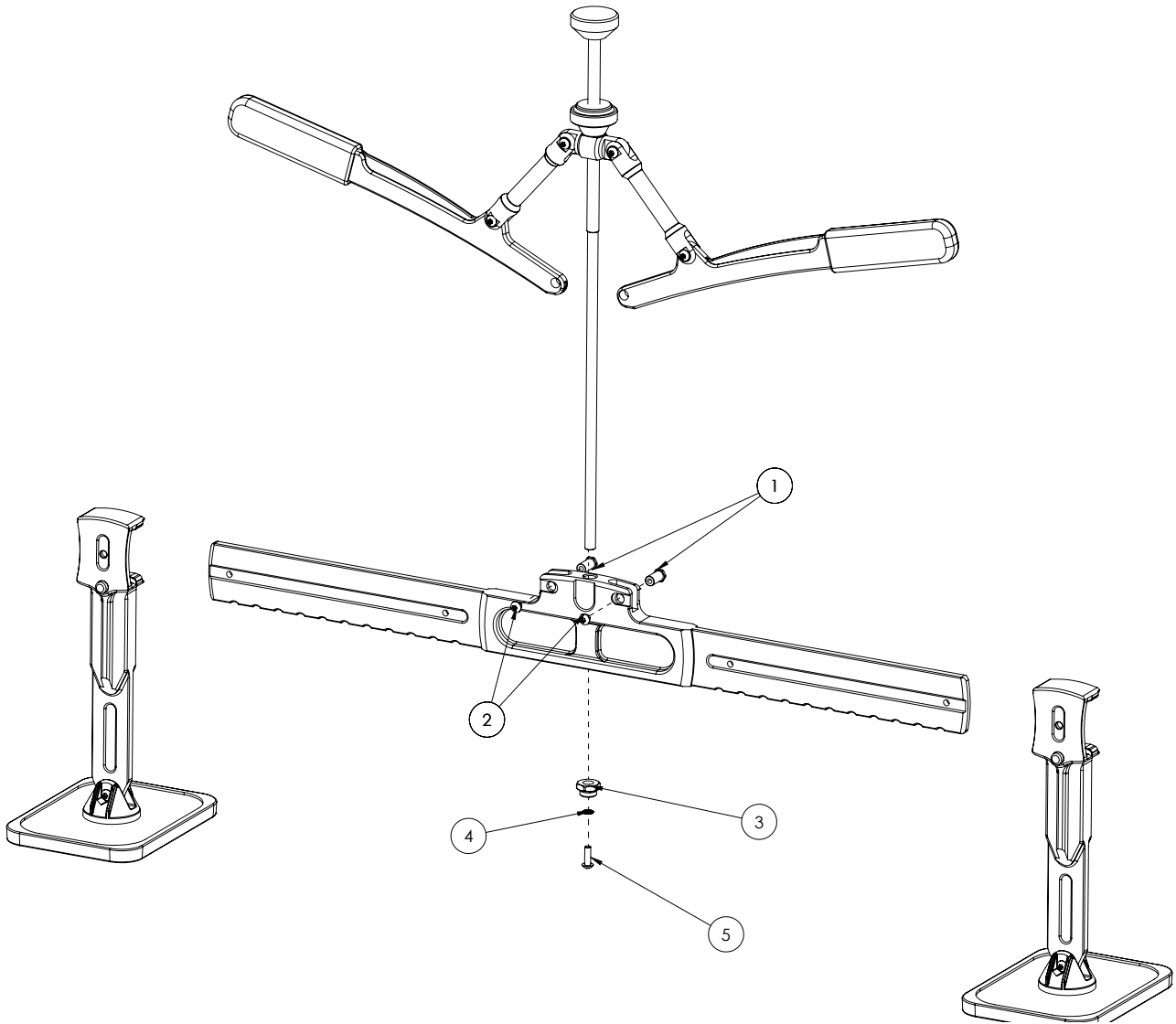
BARRES DE DÉBOSELAGE PREMIUM PREMIUM DUAL-FOOT LEVELLING BAR



No.	Ref.		
1	M0350ST	x1	Ecrou M14 anti rotation / M14 anti-rotation nut
2	42162	x1	Rondelle Schnorr M5 / Schnorr washer M5
3	42169	x1	Vis mx M5x16 TCB / M5x16 TCB screw
4	43207	x1	Rondelle plate M10 / M10 flat washer

BARRES DE DÉBOSELAGE PREMIUM PREMIUM DUAL-FOOT LEVELLING BAR

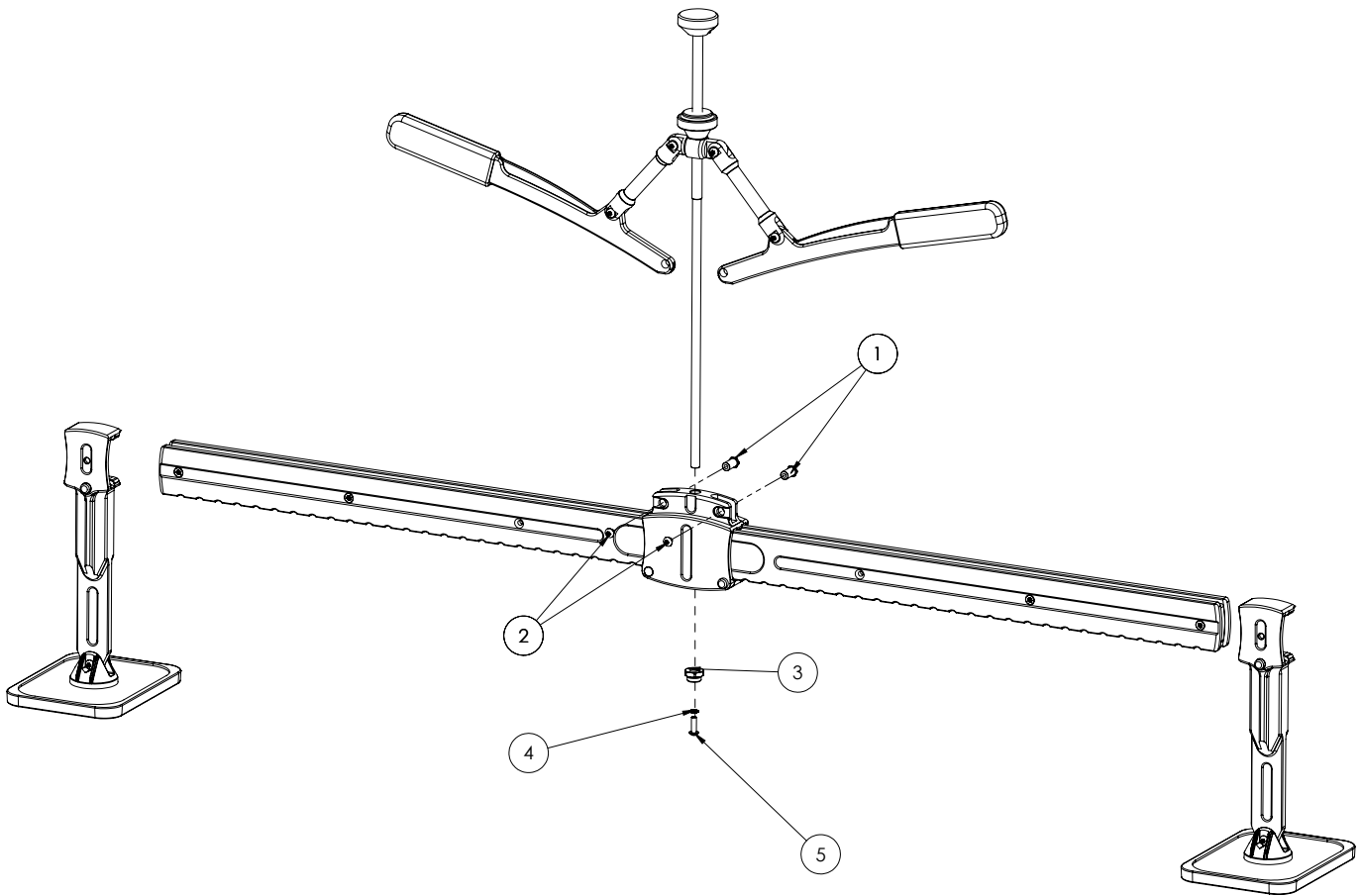
MONTAGE BARRE DE TIRAGE PREMIUM / ASSEMBLING THE PREMIUM DUAL-FOOT LEVELLING BAR



No.	Ref.		
1	51586	x2	Axe / Locking pin
2	42116	x2	Vis M5x6 Torx 25 / M5x6 Torx 25 screw
3	M0350ST	x1	Ecrou M14 anti rotation / M14 anti-rotation nut
4	42162	x1	Rondelle Schnorr M5 / Schnorr washer M5
5	42169	x1	Vis M5x16 Torx 25 / M5x16 Torx 25 screw

BARRES DE DÉBOSELAGE PREMIUM PREMIUM DUAL-FOOT LEVELLING BAR

MONTAGE BARRE DE TIRAGE 1200 PREMIUM / ASSEMBLING THE PREMIUM DUAL-FOOT LEVELLING BAR 1200



No.	Ref.		
1	51586	x2	Axe / Locking pin
2	42116	x2	Vis M5x6 Torx25 / M5x6 Torx 25 screw
3	M0350ST	x1	Ecrou M14 anti rotation / M14 anti-rotation nut
4	42162	x1	Rondelle Schnorr M5 / Schnorr washer M5
5	42169	x1	Vis M5x16 Torx 25 / M5x16 Torx 25 screw

SAS GYS

1, rue de la Croix des Landes
CS 54159
53941 SAINT-BERTHEVIN Cedex
FRANCE