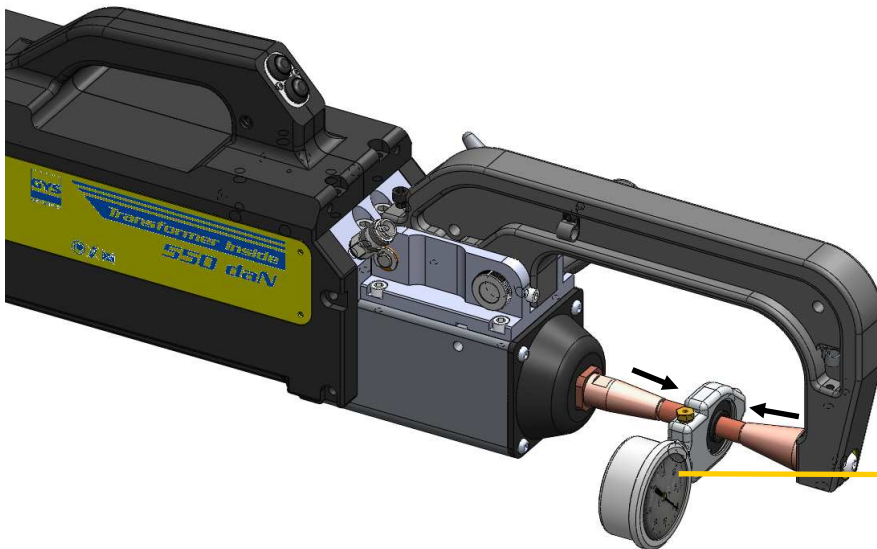


## Ref. 052314 Electrode force sensor for Spotter clamp

Ideal for a quick and accurate control of electrode force failure, the sensor allows to control that the actual electrode force corresponds to the setting of the machine. Its advantages are:

- Quick, real-time measure
- Accurate
- Universal
- Wide range of application



Example on Gyspot PTI

MODE MANUEL		21/04/08 17:01	
MODE	MANUEL		
I	9.0 kA		
T	200 ms		
F	250 daN		
C1	97 mm		
Pression 7.2 bar			

Force tested up to 600 DaN

### THE IDEAL TOOL TO CONTROL CLAMP TIGHTENING

- **Wide measurement range:** from 0 to 60 bars (**0 to 600 DaN**).
- **Universal**, this sensor can control all clamps on any spot welder.
- **Quick**, control result is displayed in **real-time**.
- **Accurate**, the result is guaranteed **+/- 5%**.

### HOW TO PROCEED ?

- ① Position the sensor so that the electrodes are centered on each side of the markers.
- ② Actuate the clamp, measure is done instantly.
- ③ Compare the value indicated on the sensor to the one displayed on the spot welder.

Measure is displayed in bars (1 bar = 10 DaN)

